



I-7017R-A5

M-7017R-A5

8-channel Analog Input Module

Features

- High Voltage Input: -50 V ~ +50 V or -150 V ~ +150 V
- High Resolution: 16-bit
- Changeable Sampling Rate
- 4 KV ESD Protection
- 3000 V_{dc} Intra-Module Isolation
- Dual Watchdog
- Wide Operating Temperature Range: -25 ~ +75°C



Introduction

I-7017R-A5 is specially designed for high voltage input. Its input range is up to between -50 V ~ +50 V and -150 V ~ +150 V. The sampling rate of I-7017R-A5 is changeable; there are fast mode and normal mode for your consideration. I-7017R-A5 also has qualification for 4 KV ESD protection as well as 3000 V_{dc} intra-module isolation.

Applications

Building Automation, Factory Automation, Machine Automation, Remote Maintenance, Remote Diagnosis, Testing Equipment.

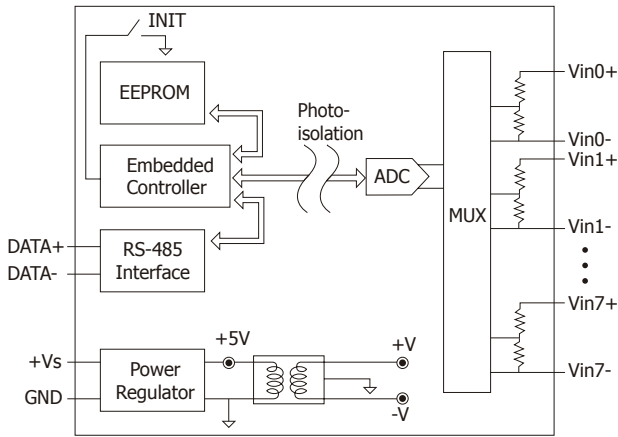
System Specifications

Models	I-7017R-A5	M-7017R-A5
Communication		
Interface	RS-485	
Format	N, 8, 1	
Baud Rate	1200 ~ 115200 bps	
Protocol	DCON	Modbus RTU, DCON
Dual Watchdog	Yes, Module (1.6 Seconds), Communication (Programmable)	
LED Indicator/Display		
System LED Indicator	Yes, 1 LED as Power/Communication Indicator	
I/O LED Indicator	-	
7-Segment LED Display	-	
Isolation		
Intra-Module Isolation, Field-to-Logic	3000 V _{dc}	
EMS Protection		
ESD (IEC 61000-4-2)	+/-4 kV	
EFT (IEC 61000-4-4)	+/-4 kV	
Surge (IEC 61000-4-5)	0.5 kV	
Power		
Reverse Polarity Protection	Yes	
Input Range	10 ~ 30 V _{dc}	
Consumption	1.3 W	
Mechanical		
Dimensions (W x L x H)	72 mm x 123 mm x 35 mm	
Installation	DIN-Rail or Wall Mounting	
Environment		
Operating Temperature	-25 ~ +75°C	
Storage Temperature	-40 ~ +85°C	
Humidity	10 ~ 95% RH, Non-condensing	

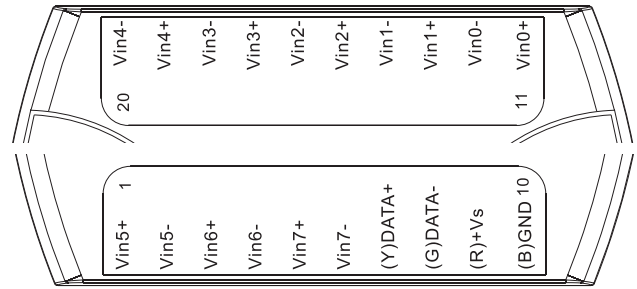
I/O Specifications

Models	I-7017R-A5	M-7017R-A5
Analog Input		
Channels	8	
Wiring	Differential	
Input Range	+/-50 V _r , +/-150 V	
Resolution	12/16-bit	
Accuracy	Normal Mode	0.1%
	Fast Mode	0.5%
Sampling Rate	Normal Mode	10 Hz
	Fast Mode	50 Hz
Input Impedance	290 k	
Common Voltage Protection	+/-200 V _{dc}	
Individual Channel Configuration	-	
Oversoltage Protection	+/-200 V _{dc}	

Internal I/O Structure



Pin Assignments



Wire Connections

Voltage Input Wire Connection

TYPE	SIGNAL
1B	± 150 V
1C	± 50 V

Ordering Information

I-7017R-A5-G CR	8-channel Analog Input Module with DCON Protocol (Gray Cover) (RoHS)
M-7017R-A5-G CR	8-channel Analog Input Module with DCON and Modbus Protocol (Gray Cover) (RoHS)

Accessories

	tM-7520U CR	RS-232 to RS-485 converter (RoHS)
	tM-7561 CR	USB to RS-485 converter (RoHS)
	tM-SG4 CR	RS-485 Pull-high/Pull-low and Termination Resistor Module (RoHS)
	I-7514U CR	4-channel RS-485 Hub (RoHS)
	SG-770 CR	7 channel differential or 14 channel single-ended surge protector (RoHS)
	SG-3000 series	Signal Conditioning Modules for Thermocouple, RTD, DC Voltage, DC Current and Power Inputs