



I-7022

M-7022

2-channel Analog Output Module

Features

- 2-channel Analog Output
- Software Selectable Current or Voltage Output
- 12-bit Resolution
- Power-on Value Setting
- Safe Value Setting
- 3000 V_{DC} Intra-Module Isolation
- Programmable Output Slope
- Dual Watchdog
- Wide Operating Temperature Range: -25 ~ +75°C



Introduction

I-7022 is a 12-bit 2-channel analog output module that covers from current output to voltage output. There are options for power-on value and safe value for your consideration. It also features 3000 V_{DC} intra-module isolation and jumper selectable for internal/external power of current output. M-7022 supports Modbus RTU and DCON protocols which can be configured via software and all hardware specifications are the same as I-7022.

Applications

Building Automation, Factory Automation, Machine Automation, Remote Maintenance, Remote Diagnosis, Testing Equipment.

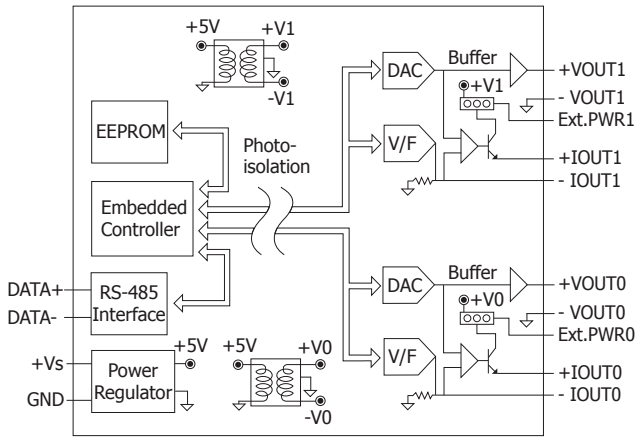
System Specifications

Models	I-7022	M-7022
Communication		
Interface	RS-485	
Format	(N, 8, 1)	(N, 8, 1) (N, 8, 2) (E, 8, 1) (O, 8, 1)
Baud Rate	1200 ~ 115200 bps	
Protocol	DCON	Modbus RTU, DCON
Dual Watchdog	Yes, Module (1.6 Seconds), Communication (Programmable)	
LED Indicator/Display		
System LED Indicator	Yes, 1 LED as Power/Communication Indicator	
I/O LED Indicator	-	
7-Segment LED Display	-	
Isolation		
Intra-Module Isolation, Field-to-Logic	3000 V _{DC}	
EMS Protection		
ESD (IEC 61000-4-2)	+/-2 kV	
EFT (IEC 61000-4-4)	-	
Power		
Reverse Polarity Protection	Yes	
Input Range	10 ~ 30 V _{DC}	
Consumption	3.0 W	
Mechanical		
Dimensions (W x L x H)	72 mm x 123 mm x 35 mm	
Installation	DIN-Rail or Wall Mounting	
Environment		
Operating Temperature	-25 ~ +75°C	
Storage Temperature	-40 ~ +85°C	
Humidity	10 ~ 95% RH, Non-condensing	

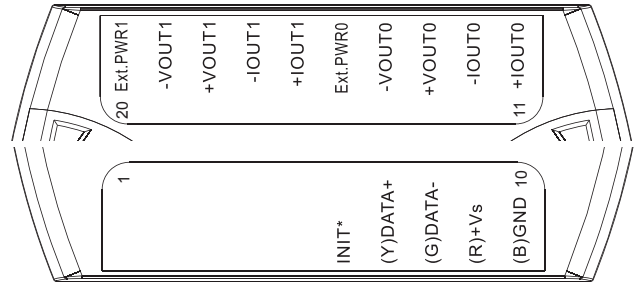
I/O Specifications

Models	I-7022	M-7022
Analog Output		
Channels	2	
Wiring	Unipolar	
Range	0 ~ 10 V, 0 ~ 20 mA, 4 ~ 20 mA	0 ~ 5 V, 0 ~ 10 V, 0 ~ 20 mA, 4 ~ 20 mA
Resolution	12-bit	
Accuracy	0.1%	
DA Output Response Time	10 ms	
Open Wire Detection (for current only)	Yes	
Channel to Channel Isolation	Yes	
Power-on Value	Yes	
Safe Value	Yes	

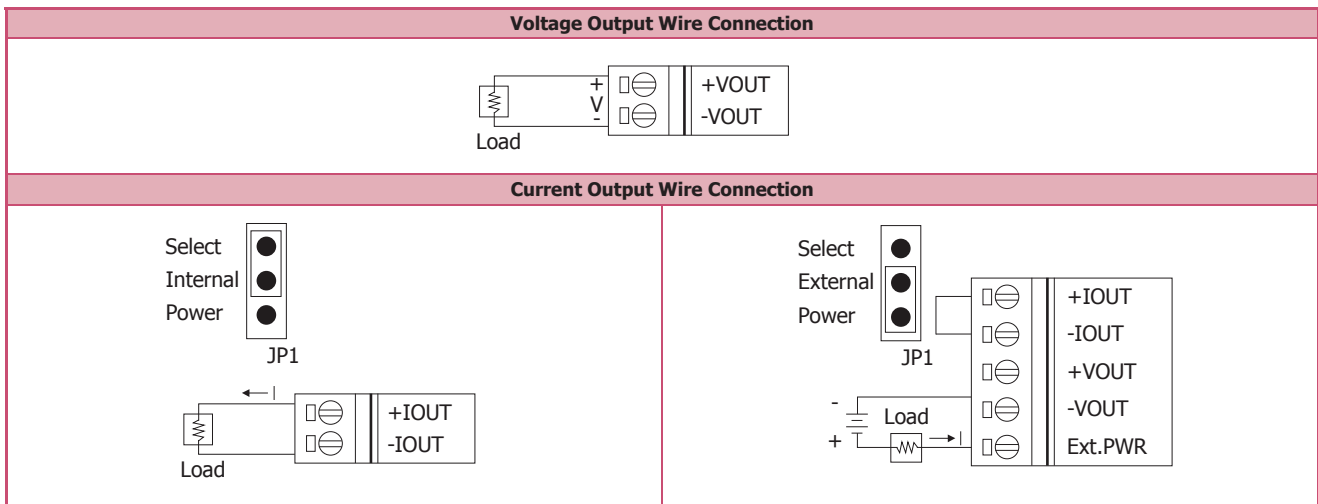
Internal I/O Structure



Pin Assignments



Wire Connections



Ordering Information

I-7022 CR	2-channel Analog Output Module with DCON Protocol (channel to channel isolation) (Blue Cover) (RoHS)
I-7022-G CR	2-channel Analog Output Module with DCON Protocol (channel to channel isolation) (Gray Cover) (RoHS)
M-7022-G CR	2-channel Analog Output Module with DCON and Modbus Protocol (channel to channel isolation) (Gray Cover) (RoHS)

Accessories

	tM-7520U CR	RS-232 to RS-485 converter (RoHS)
	tM-7561 CR	USB to RS-485 converter (RoHS)
	tM-SG4 CR	RS-485 Pull-high/Pull-low and Termination Resistor Module (RoHS)
	I-7514U CR	4-channel RS-485 Hub (RoHS)
	SG-770 CR	7 channel differential or 14 channel single-ended surge protector (RoHS)
	SG-3000 series	Signal Conditioning Modules for Thermocouple, RTD, DC Voltage, DC Current and Power Inputs