

### Features

- 8 Digital Outputs and 7 Digital Inputs
- Open Collector Output
- Non-isolated for all Channels
- Digital Input Channels Can Be Used As 16-bit Counters
- Configurable Power-on Value Settings
- Configurable Safe Value Settings
- Cost-effective
- Dual Watchdog
- Wide Operating Temperature Range: -25 ~ +75°C



### Introduction

The I-7050 offers 7 channels for digital input and 8 channels for digital output, each of which are non-isolated. The I-7050 supports sink-type output using an NPN open collector and source-type input. All input channels are able to be used as 16-bit counters. There are options to enable both power-on and safe values. The I-7050D has 15 LED indicators for channel status monitoring. The hardware specifications for the M-7050 are the same as the I-7050 and both support the Modbus RTU and DCON protocols which can be configured via software.

### Applications

Building Automation, Factory Automation, Machine Automation, Remote Maintenance, Remote Diagnosis, Testing Equipment.

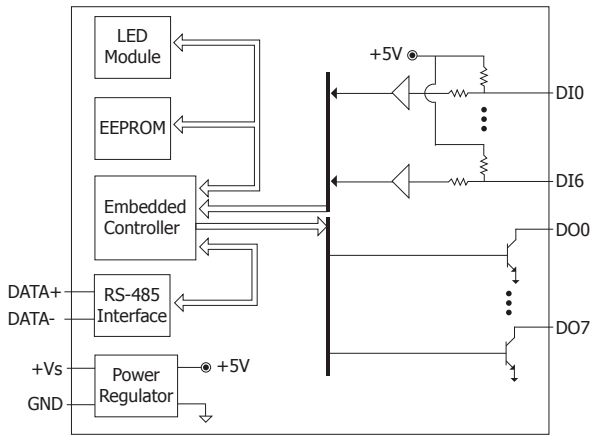
### System Specifications

Models	I-7050	I-7050D	M-7050	M-7050D
	I-7050A	I-7050AD		
<b>Communication</b>				
Interface	RS-485			
Format	(N, 8, 1) (N, 8, 2) (E, 8, 1) (O, 8, 1)			
Baud Rate	1200 ~ 115200 bps			
Protocol	DCON		Modbus RTU, DCON	
Dual Watchdog	Yes, Module (1.6 Seconds), Communication (Programmable)			
<b>LED Indicator/Display</b>				
System LED Indicator	Yes, 1 LED as Power/Communication Indicator			
I/O LED Indicator	-	Yes	-	Yes
7-Segment LED Display	-			
<b>Isolation</b>				
Intra-Module Isolation, Field-to-Logic	-			
<b>EMS Protection</b>				
ESD (IEC 61000-4-2)	-			
EFT (IEC 61000-4-4)	-			
<b>Power</b>				
Reverse Polarity Protection	Yes			
Input Range	10 ~ 30 Vdc			
Consumption	0.4 W	1.1 W	0.4 W	1.1 W
	0.5 W (A)		1.2 W (AD)	
<b>Mechanical</b>				
Dimensions (W x L x H)	72 mm x 123 mm x 35 mm			
Installation	DIN-Rail or Wall Mounting			
<b>Environment</b>				
Operating Temperature	-25 ~ +75°C			
Storage Temperature	-40 ~ +85°C			
Humidity	10 ~ 95% RH, Non-condensing			

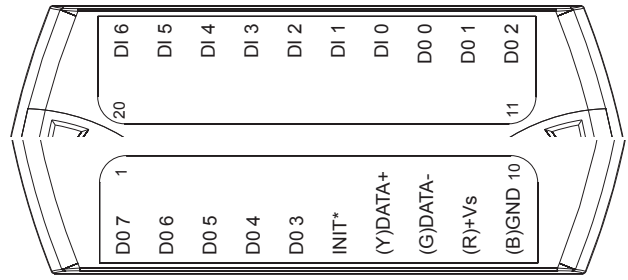
### I/O Specifications

Models	I-7050	I-7050D	I-7050A	I-7050AD
	M-7050	M-7050D		
<b>Digital Input/Counter</b>				
Channels	7			
Contact	Dry			
Sink/Source (NPN/PNP)	Source		Sink	
Wet Contact	On Voltage Level	-	+4 ~ 30 Vdc	
	Off Voltage Level	-	+1 Vdc Max.	
Dry Contact	On Voltage Level	Open	-	
	Off Voltage Level	Close to GND	-	
Counters	Max. Count	65535 (16-bit)		
	Max. Input Frequency	100 Hz		
	Min. Pulse Width	5 ms		
Input Impedance	100 KΩ			
Overvoltage Protection	-			
<b>Digital Output</b>				
Channels	8			
Type	Open Collector			
Sink/Source (NPN/PNP)	Sink			
Load Voltage	+3.5 ~ 30 Vdc			
Max. Load Current	30 mA/Channel			
Overvoltage Protection	-			
Overload Protection	-			
Power-on Value	Yes			
Safe Value	Yes			

Internal I/O Structure



Pin Assignments



Wire Connections

Digital Input/Counter	ON State Readback as 1	OFF State Readback as 0
Dry Contact	Close to GND (+1 V <sub>DC</sub> Max.) 	OPEN (+4 V <sub>DC</sub> ~ +30 V <sub>DC</sub> ) 
Output Type	ON State Readback as 1	OFF State Readback as 0
Resistance Load		
Inductance Load		

Ordering Information

<b>I-7050 CR</b>	7-channel Non-isolated DI and 8-channel Non-isolated DO Module with DCON Protocol (Blue Cover) (RoHS)
<b>I-7050-G CR</b>	7-channel Non-isolated DI and 8-channel Non-isolated DO Module with DCON Protocol (Gray Cover) (RoHS)
<b>I-7050D CR</b>	I-7050 with LED Display (Blue Cover) (RoHS)
<b>I-7050D-G CR</b>	I-7050 with LED Display (Gray Cover) (RoHS)
<b>I-7050A CR</b>	7-channel Non-isolated DI and 8-channel Non-isolated DO Module with DCON Protocol (Current Sink) (Blue Cover) (RoHS)
<b>I-7050AD CR</b>	I-7050A with LED Display (Blue Cover) (RoHS)
<b>I-7050AD-G CR</b>	I-7050A with LED Display (Gray Cover) (RoHS)
<b>M-7050-G CR</b>	7-channel Non-isolated DI and 8-channel Non-isolated DO Module with DCON and Modbus Protocol (Gray Cover) (RoHS)
<b>M-7050D-G CR</b>	M-7050 with LED Display (Gray Cover) (RoHS)

Accessories

	tM-7520U CR	RS-232 to RS-485 converter (RoHS)
	tM-7561 CR	USB to RS-485 converter (RoHS)
	tM-SG4 CR	RS-485 Pull-high/Pull-low and Termination Resistor Module (RoHS)

	I-7514U CR	4-channel RS-485 Hub (RoHS)
	SG-770 CR	7 channel differential or 14 channel single-ended surge protector (RoHS)
	SG-3000 series	Signal Conditioning Modules for Thermocouple, RTD, DC Voltage, DC Current and Power Inputs