



Features

- Support Relay Outputs
- 4 kV ESD Protection
- 4 kV ESD Protection
- 3750 V_{rms} Intra-module Isolation
- RoHS Compliant
- Wide Operating Temperature Range: -25 ~ +75°C



Introduction

I-87061W offers 16 channels for relay output. All of its channels are Form A type relay. I-87061W has 16 LED indicators for channel status as well as qualification for 4 kV ESD protection and 3750 V_{rms} intra-module isolation.

Applications

- Industry automation
- Industrial Machinery
- Building Automation
- Food & Beverage
- Semiconductor Fabrication
- Control system

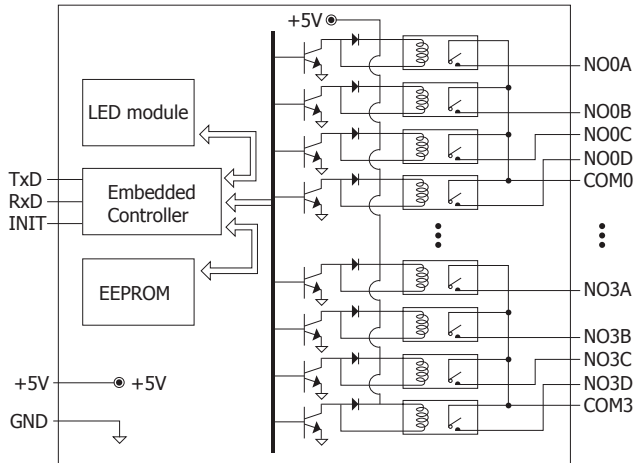
System Specifications

Communication	
Interface	RS-485
Format	N, 8, 1
Baud Rate	1200 ~ 115200 bps
Protocol	DCON
Dual Watchdog	Yes, Module (1.6 Seconds), Communication (Programmable)
Safe Value (When Host Fail or Communication Fail)	Yes
Power-on Preset Value	Yes
LED Indicator/Display	
System LED Indicator	1 LED as Power/Communication Indicator
I/O LED Indicator	16 LEDs as High/Low Alarm Signals
Isolation	
Intra-Module Isolation, Field-to-Logic	3750 V _{rms}
EMS Protection	
ESD (IEC 61000-4-2)	4 kV Contact for Each Terminal
	8 kV Air for Random Point
Power	
Power Consumption	1.8 W Max.
Mechanical	
Dimensions (W x L x H)	30 mm x 102 mm x 115 mm
Environment	
Operating Temperature	-25 ~ +75°C
Storage Temperature	-40 ~ +85°C
Humidity	10 ~ 95% RH, Non-condensing

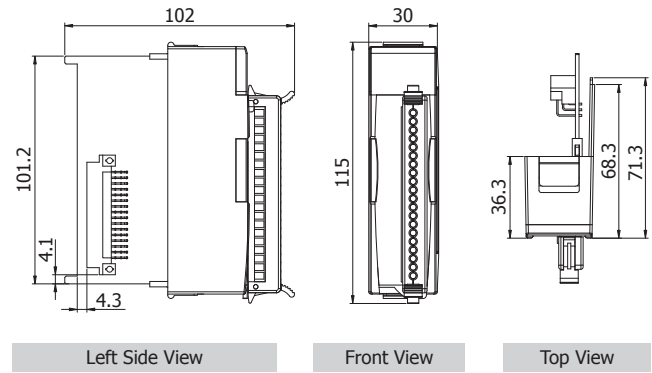
I/O Specifications

Relay Output		
Channels	16	
Type	Power Relay	
Sink /Source (NPN /PNP)	Form A (SPST N.O.)	
Max. Load Voltage	250 V _{AC} /30 V _{DC}	
Max. Load Current	5 A _{rms} /per NO Point (at 25 °C)	
	10.0 A/per COM Point (at 25 °C)	
Operate Time	6 ms	
Release Time	3 ms	
Electrical Life (Resistive Load)	VDE	5 A @ 250 V _{AC} 30,000 ops (10 ops/minute) at 75°C.
		5 A @ 30 V _{DC} 70,000 ops (10 ops/minute) at 75°C.
	UL	5 A @ 250 V _{AC} /30 V _{DC} 6,000 ops.
		3 A @ 250 V _{AC} /30 V _{DC} 100,000 ops.
Mechanical Life	20,000,000 ops. at no load (300 ops./minute).	
Short Circuit Protection	-	
Power-on Value	Yes	
Safe Value	Yes	

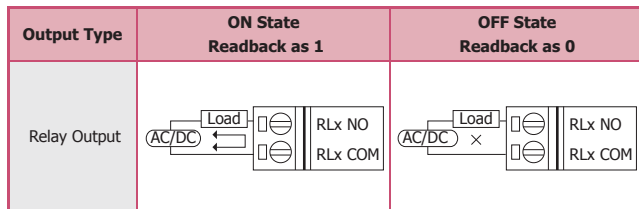
Internal I/O Structure



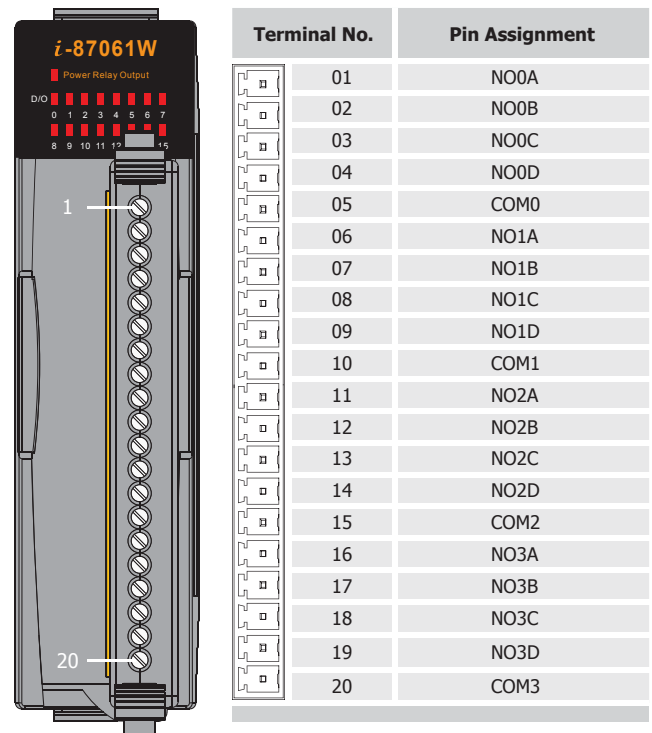
Dimensions (Units: mm)



Wire Connections



Pin Assignments



Ordering Information

I-87061W-G CR	16-channel Relay Output Module (Gray Cover) (RoHS)
----------------------	--

Accessories

	SG-770 CR	7 channel differential or 14 channel single-ended surge protector (RoHS)
--	------------------	--