

MT6100i

Human Machine Interface
with 10" TFT LCD display



【 Introduction 】

MT6000 series is the new HMI generation of Weintek. With the design concept of meeting customers' satisfaction while easy-to-Use attribute as before, a MT8000 not only performs as a Human Machine Interface but also plays as a role of data exchange center. Through the most popular Ethernet connection, data can be shared among MT8000s without limitation and any SCADA/HMI software on the PC can simply access data from MT8000s. MT8000 series is the best choice for your requirement tomorrow.

The MT6100i is equipped with a USB 1.1 host, a USB 2.0 high speed device and SD card slot.

Specifications

- **Construction:** plastic molding housing
- **Display:** 10" color TFT LCD
- **CPU and core logic:** 32Bit RISC 400MHz processor
- **DRAM:** 64 MB DDR2 on board
- **Storage:** 128 MB flash memory on board,
(User project size: 16MB, Data and Event log size: 50MB)
- **I/O:** 3 serial ports: Com1: RS-232/RS-485 2w/4w,
Com2: RS-232,
Com3: RS-232/RS-485 2w
1 USB 1.1 host
1 USB 2.0 high speed device
- **RTC:** Built-in
- **Power input:** 24±10%V_{DC}, 300mA@24VDC
- **Dimension (W x H x D):** 286 x 212 x 50mm
- **Weight:** 1.4kg
- **Software:** EB8000 V2.0.0 or later

Features

- 10" 800x480 TFT LCD
- Fan-less cooling system
- Built-in flash memory and RTC
- NEMA4/IP65 compliant front panel
- LED Back Light
- One USB Host and one USB client port
- SD card slot
- Power Isolator inside

LCD Display

Display type	TFT LCD
Display size (diagonal)	10"
Max colors	65536
Resolution	800 x 480
Viewing angle (°)	45/65/65/65(T/B/R/L)
Luminance (cd/m ²)	300
Backlight	LED
Backlight Life time	30,000 hrs.
Contrast ratio	300:1

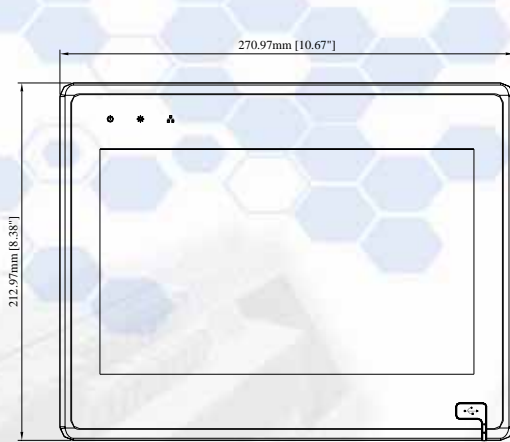
Touchscreen

- **Type:** 4-wire, analog resistive
- **Resolution:** continuous
- **Light transmission:** above 80%
- **Life:** 1 million activation minimum

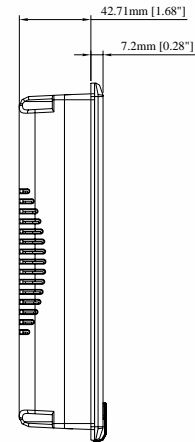
Environmental Specifications

- **Operating temperature:** -10° ~ 45°C (14° ~ 113°F)
- **Relative humidity:** 10% ~ 90% @ 40°C, non-condensing
- **Shock (operation):** 10 to 25Hz(X,Y,Z direction 2G 30minutes)
- **EMI:** Complies with FCC class A
- **CE:** Complies with EN50081-2 and EN50082-2 standards
- **Front panel meets NEMA4 / IP65**

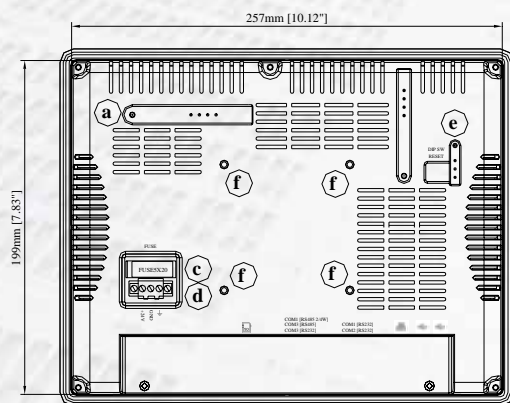
Dimensions Drawing



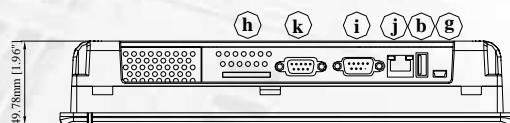
Front View



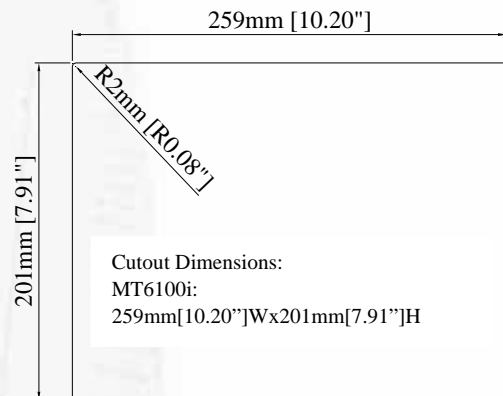
Side View



Rear View



Bottom View



Cutout Dimensions:
MT6100i:
259mm[10.20"]Wx201mm[7.91"]H

a	N/A	f	VESA 75mm screw holes
b	USB Host port	g	USB Device port
c	Fuse	h	SD card slot
d	Power connector	i	Com1[232], Com2[232]
e	DIP SW & Reset button	j	N/A
		k	Com1 RS485, Com3 RS485, Com3 RS232

Ordering Information

❑ MT6100i:

10" 800x480 TFT LCD HMI, 128MB flash memory/64MB DDR2 RAM on board.

❑ RZCMT6100:

MT6000/8000 i series download cable / Mini USB to USB 2.0 100 cm